

Alarm and malfunction signalling module WSA 201 51



Function

The module for external signalling of alarm and malfunction of a smoke ventilation unit. Also necessary when connecting several smoke ventilation units in cascade.

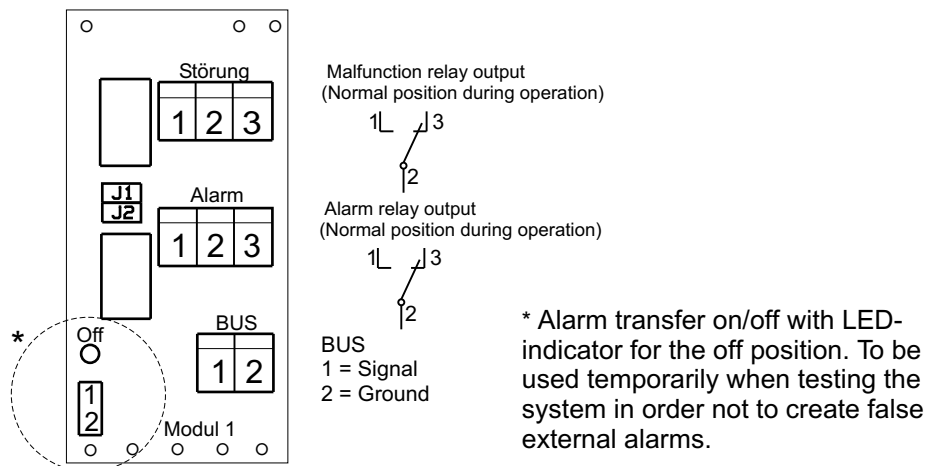
Installation

- Disconnect mains and batteries
- Plug-in module (check that plugs have not been bent or squeezed)
- Connect mains and batteries
- Check all functions of the smoke ventilation system

Technical specifications

- Malfunction:** One potential free change-over switch (max. 60 V, 1 A)
Alarm: One potential free change-over switch (max. 60 V, 1 A)
Bus malfunction: Twin-poled connector for signalling malfunctions back to the smoke ventilation of the main (first) smoke ventilation unit of the cascade.

Jumper set at J2 = Potential free alarm and malfunction signalling (factory setting)



Jumper set at J1 = Transfer of alarm signal to the following smoke ventilation unit through its terminals 4 and 5 (cascade connection)

